



Installation Instructions: Atlas High Bay 11450/1/2/3/4/5

Date	Revision
22.4.24	1

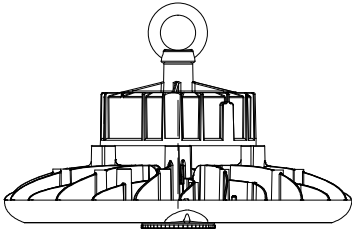
Important Information

We recommend that luminaires are installed by a qualified electrician ensuring the installation complies with current IEE wiring regulations BS7671:2018 & local building control..

- BELL will not accept responsibility for any claims arising from a poor installation.
- Do not cover with any insulation.
- Internal use only.

This product may contain substances that can be hazardous to the environment if not disposed of properly. Electrical and electronic equipment should never be disposed of with general household waste but must be separated for its correct treatment and recovery.

Where possible recycle your packaging.



Read these instructions before installation and retain for future reference

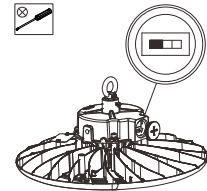
This equipment should be installed by a competent electrician



Product Specifications	100W	150W	200W
Input Voltage	100-277Vac / 120-277Vac / 100-240Vac / 220-240Vac (Subject to the input voltage on nameplate)		
Power/Frequency	90 / 60Hz		
Output Dimensions	Ø253x155mm(Ø9.96"x6.14")	Ø295x161mm(Ø11.22"x6.33")	Ø330x165mm(Ø12.99"x6.49")
Luminaire Net Weight (95%)	1,2kg(2,64lbs)	2kg(4,41lbs)	2,2kg(4,85lbs)
Working Temperature	-30°C to +50°C(-22°F to +122°F)		
Storing Temperature	-40°C to +70°C(-40°F to +158°F)		

* Please subject to actual product for accurate weight.

Power Selectable

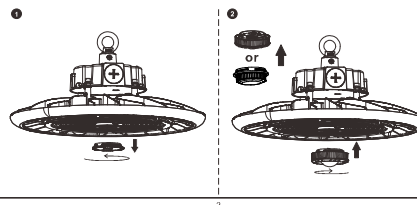


A: 100% B: 80% C: 60%

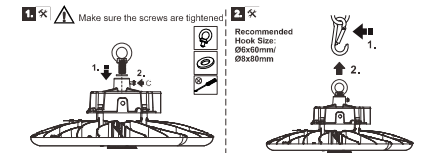
Power Demand %	200W	150W	100W
100%	200W	150W	100W
80%	160W	120W	80W
60%	120W	90W	60W

* The tolerance for power is ±10%

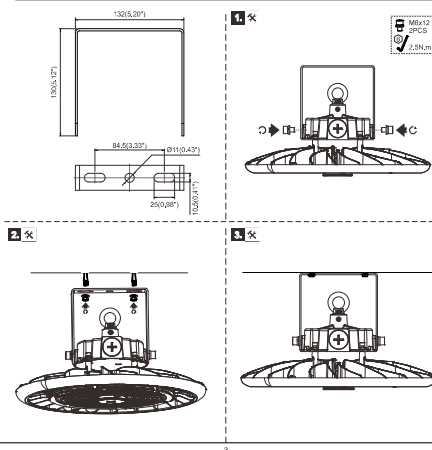
Sensor Mount



Suspension Mount



Ceiling Mount(Unit: mm/inch)



Please Note

The ceiling mount bracket is an accessory and is not included with the High Bay unit.

AC cords

L	brown	black
N	blue	white
⊕	yellow/green	green

DIM cords

Note: color for dim cords subject to the cable label on luminaire



Warning! Do not wire dim cord to high voltage, or dim function will fail.

Technical Helpline +44 (0)1924 893380

www.bellighting.co.uk

British Electric Lamps Ltd
Unit A Foxbridge Way, Normanton Industrial Estate
Normanton, West Yorkshire, WF6 1TN

T: +44 (0)1924 893380 F: +44 (0)1924 894320 E: sales@bellighting.co.uk
www.bellighting.co.uk